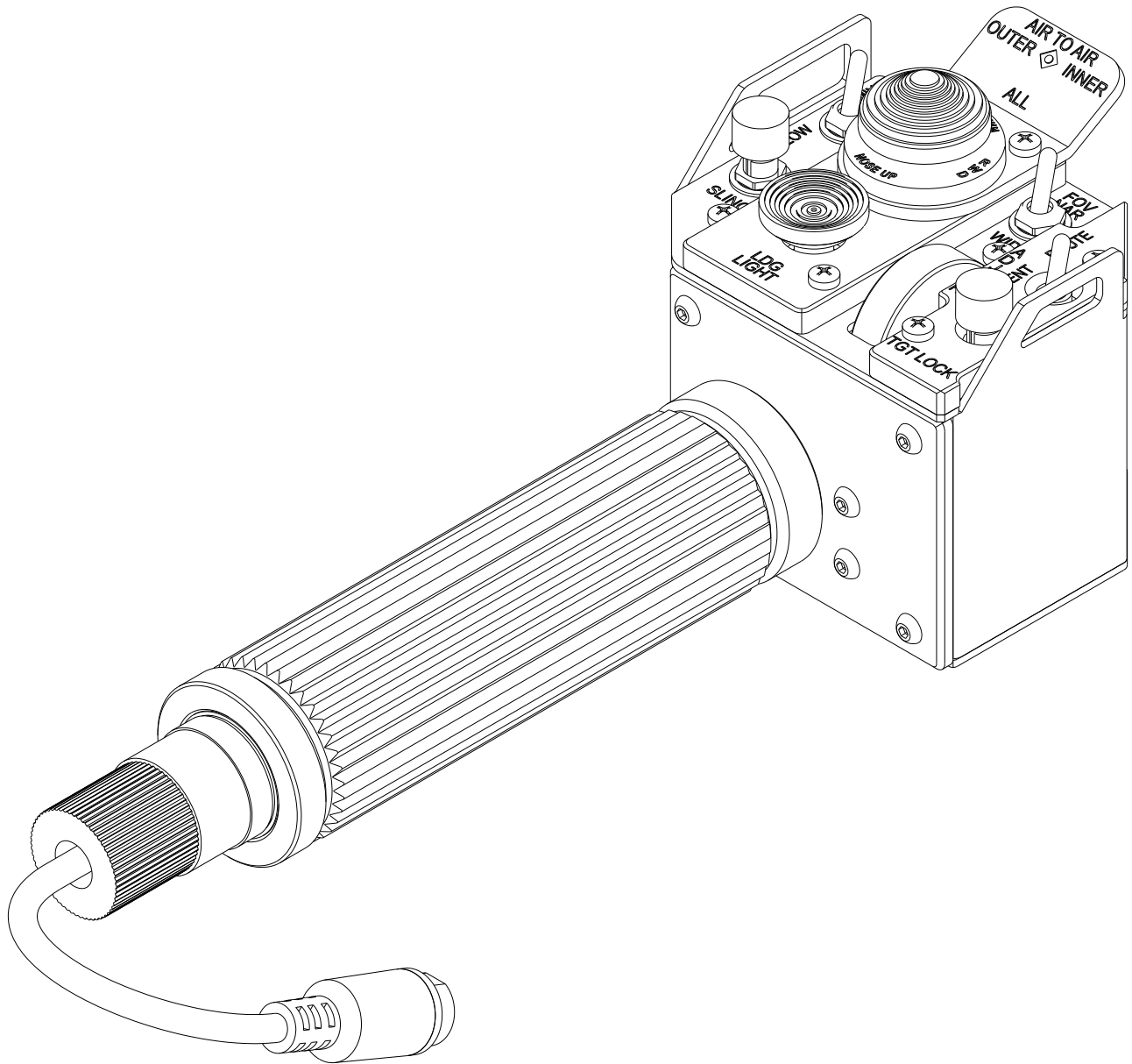


# COLLECTIVE GRIP OF BLACK SHARK KA50

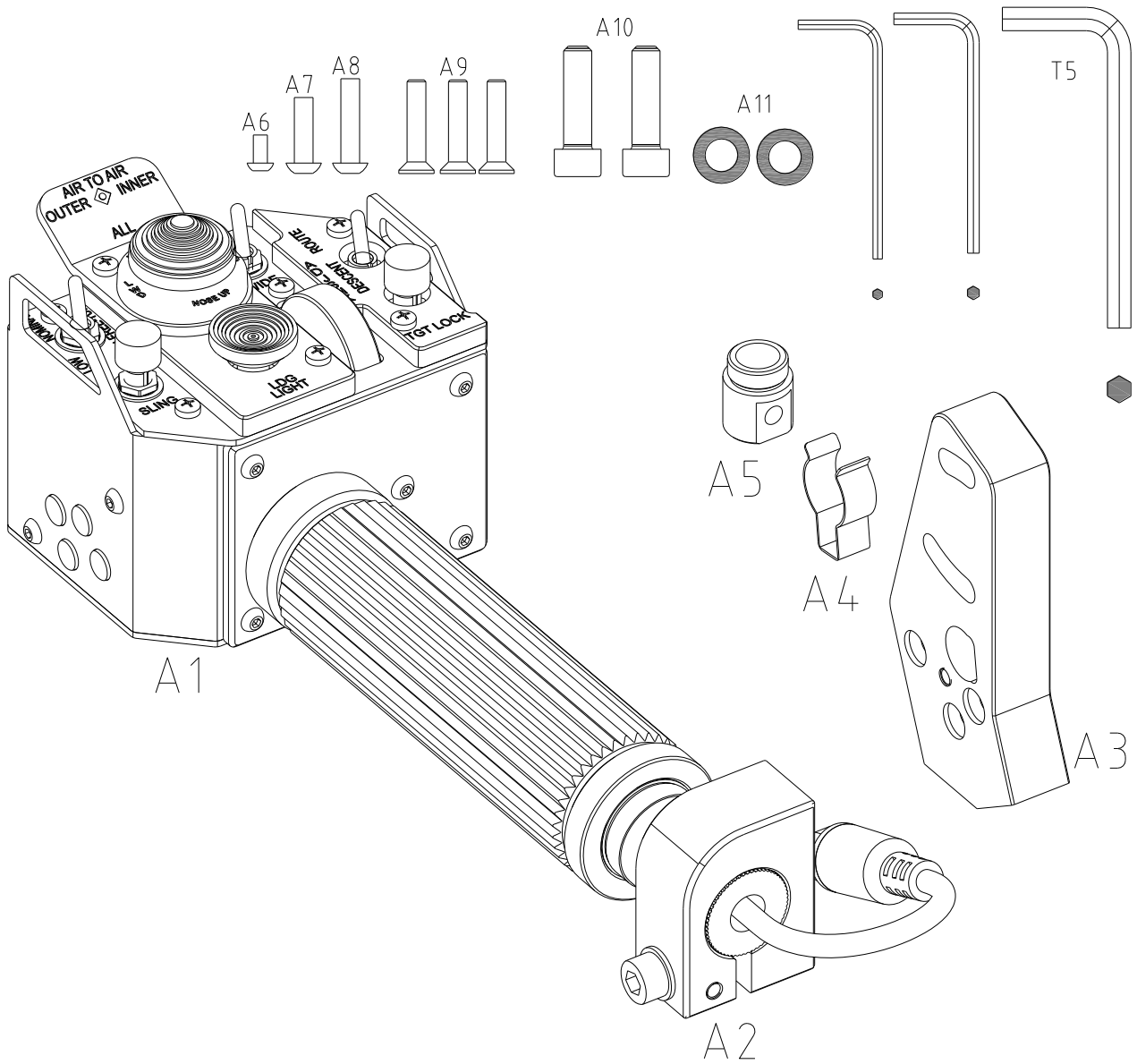
## User Manual V1.0



# Contents :

What's in the box .....	2
1 Parameters .....	2
1.1 Operational parameter .....	2
1.2 Compatible .....	3
1.3 Dimensions .....	3
2 Function.....	4
2.1 button switch and functions.....	4
2.2 Adjustment.....	5
3 Parts.....	5
4 Setup.....	5
4.1 Without extension .....	5
4.2 Connecting the extension grip.....	6
5 Base setup .....	7
5.1 Connection with T2 ORION Base.....	7
5.2 Connection with T3 GEMINI Base.....	8
5.3 Connection with T3 with extension grip .....	9
5.4 Initial setup/adjust for grip .....	10

# What's in the box



- |                             |   |
|-----------------------------|---|
| ① KA50 Grip (A1.Parts A2)   | 1 |
| ② Tool Box (3 Allen Wrench) | 1 |
| ③ Accessory box             | 1 |
| ④ Instructions              | 1 |



## 1.2 Compatible

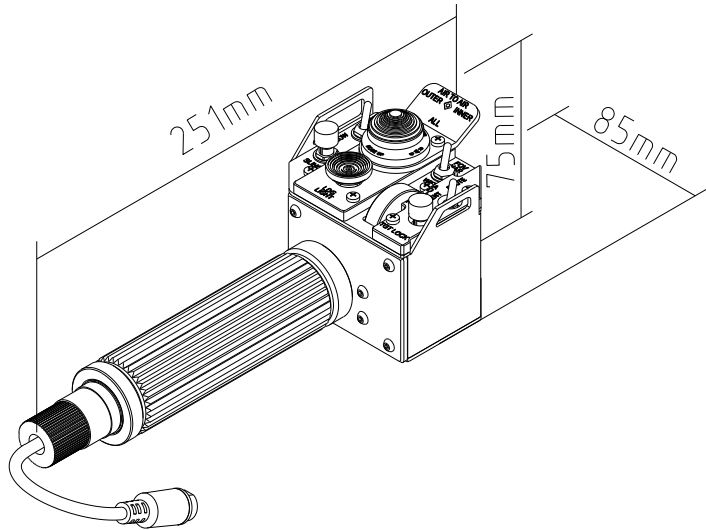
Compatible with T2 ORION and T3 GEMINI Throttle Base.

## 1.3 Dimension

Length Width Height

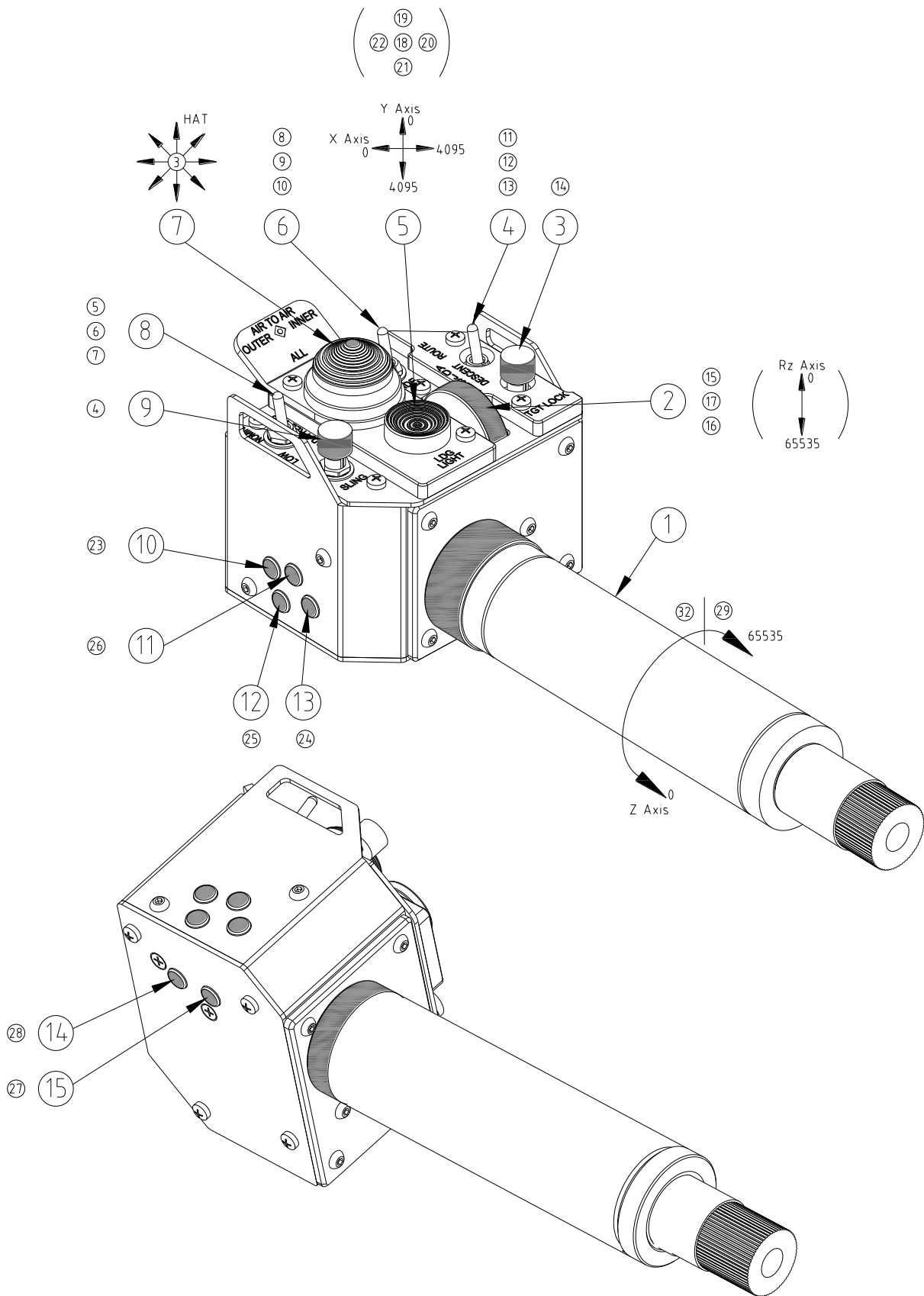
251mm\*85mm\*75mm;

Mass 1Kg = 2.2lb.



## 2 Function

### 2.1 button switch and functions



## 2.2 Adjustment

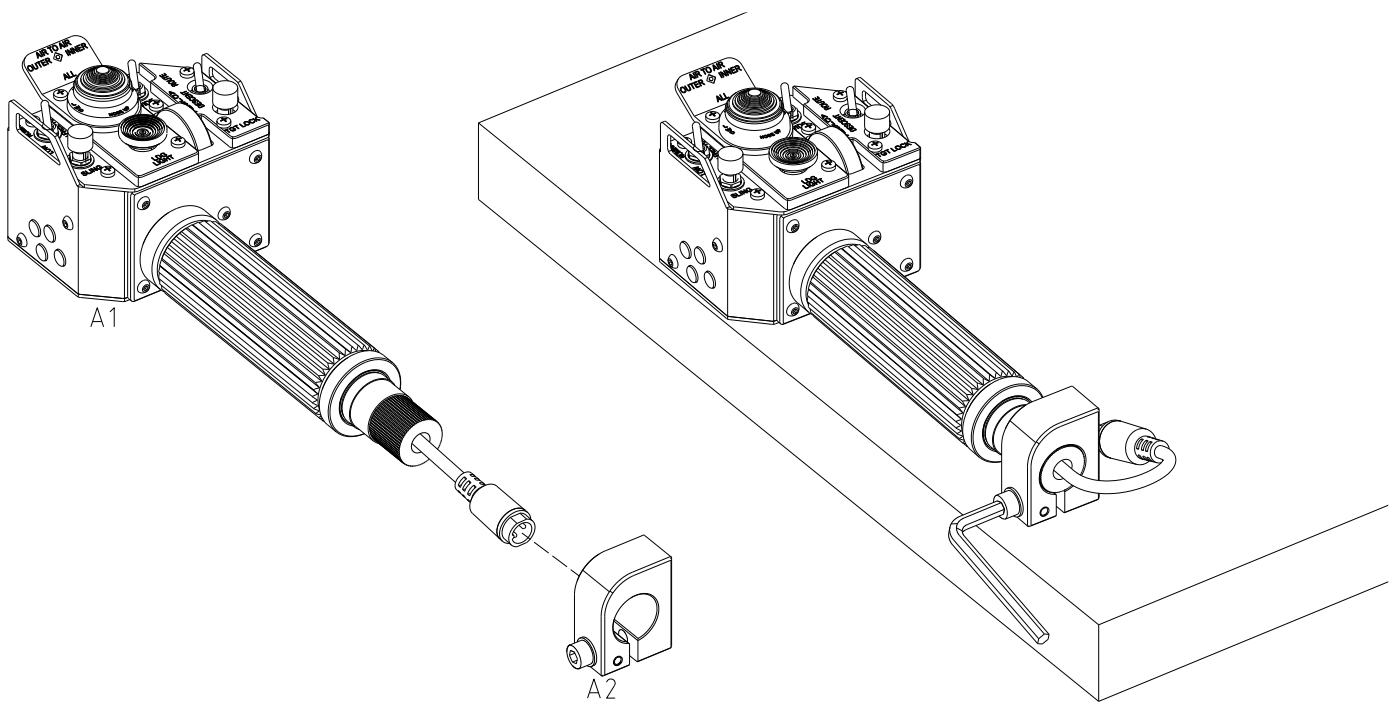
/

## 3 Parts

/

## 4 Connection

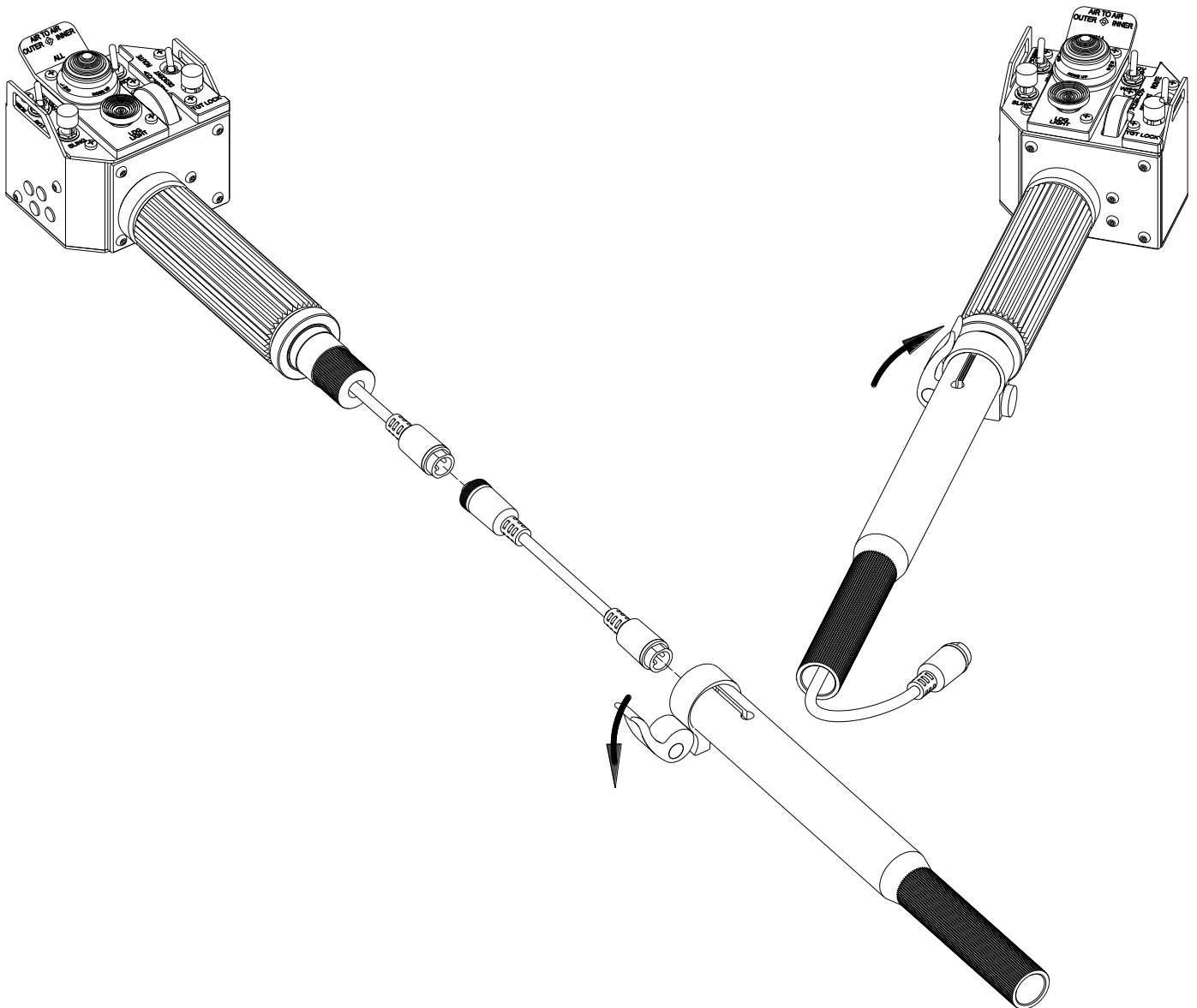
### 4.1 Without extension



- ① Connect A2 ring into A1;
- ② Tighten the screw.

## 4.2 Connecting the extension grip

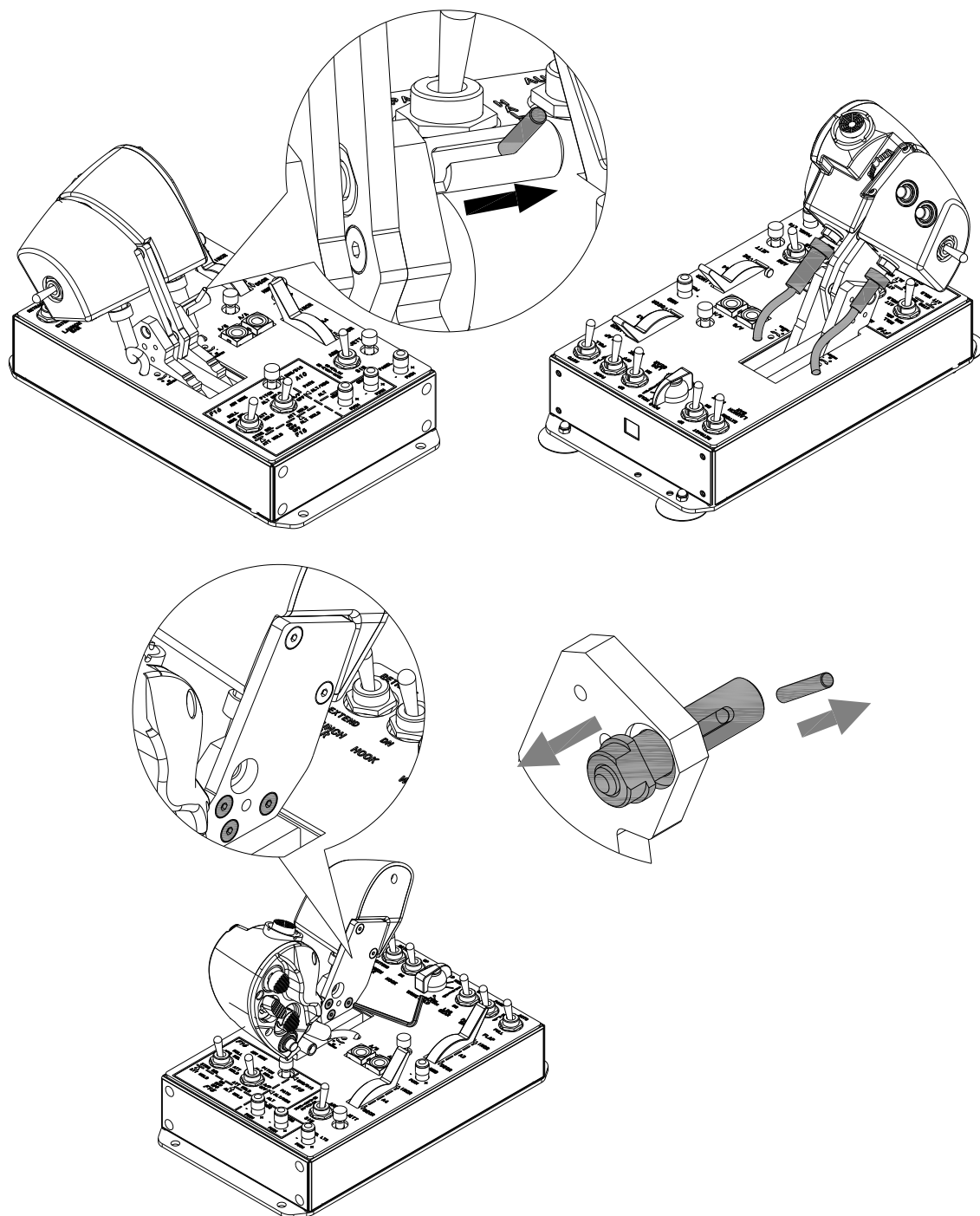
- ① Connect extension cable to Shark grip;
- ② Unlock the Quick-detach lock. Feed the extension cable down the extension. Connect the extension to the Shark grip. Secure the Quick-detach lock.





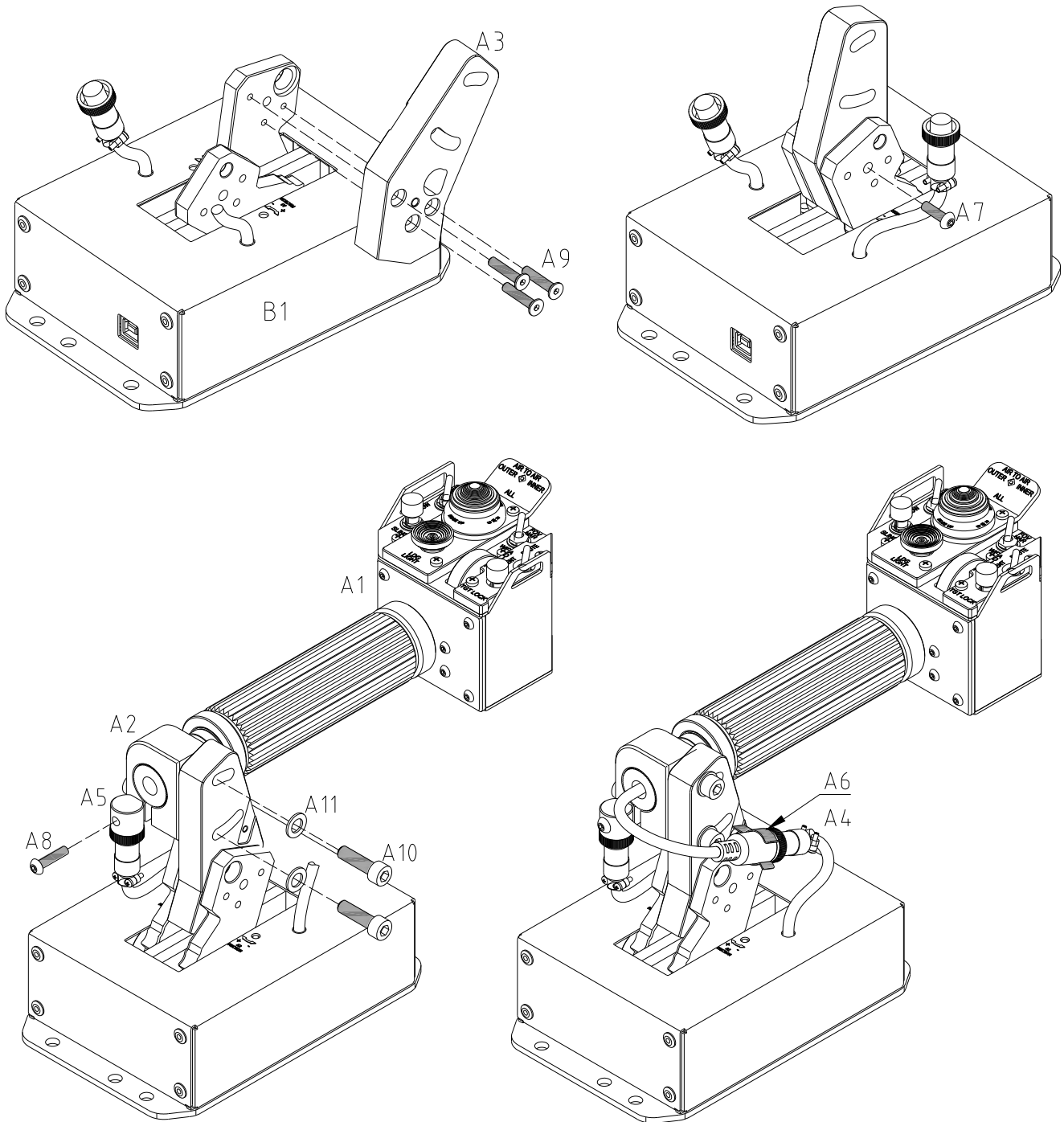
## 5 Base setup

### 5.1 Connect with T2 ORION Base



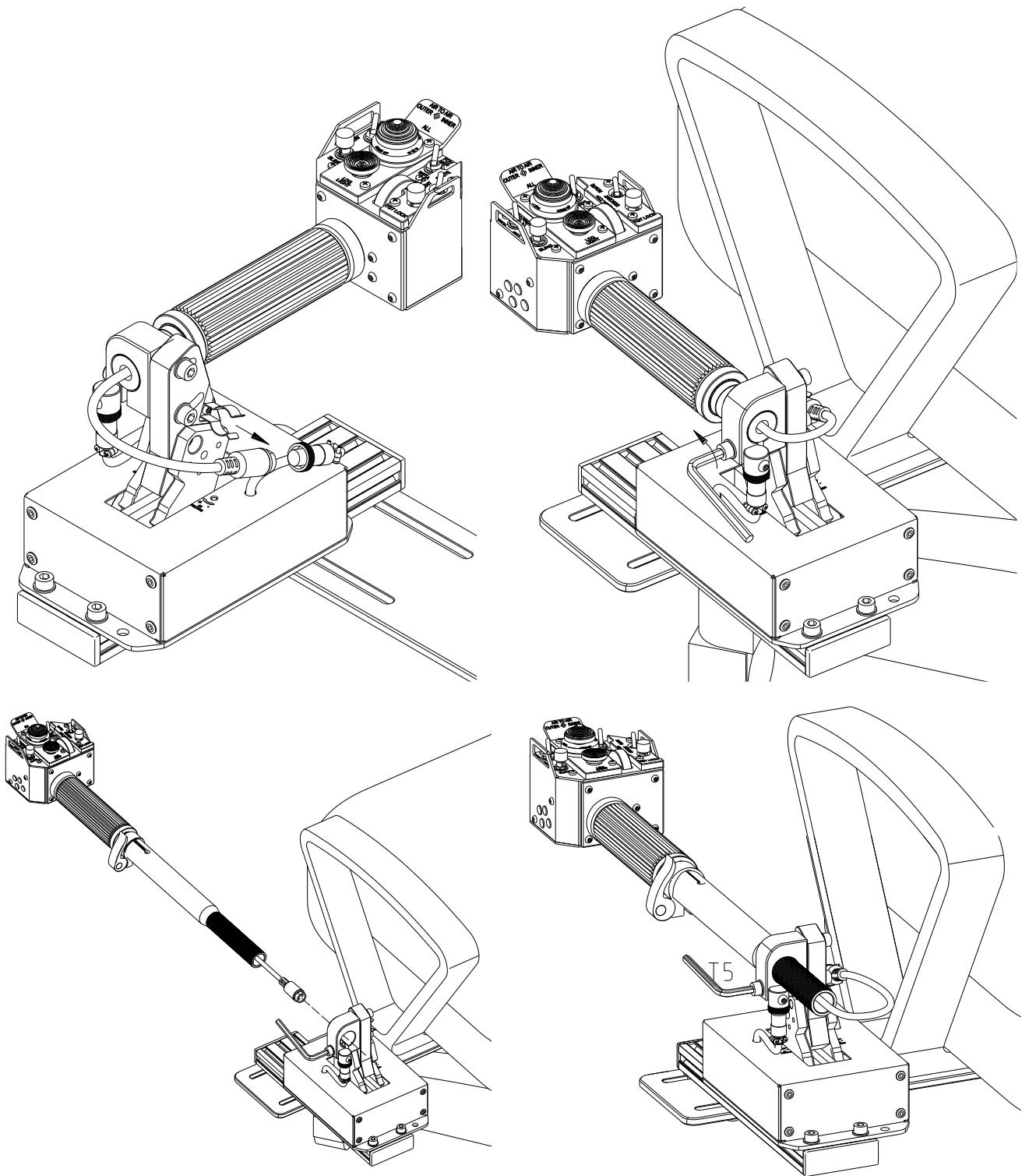
- ① Disconnect the grip wire and disengage the sync lock;
- ② Split the throttle grip. Unscrew the 3 screws as shown. (Both left and right side, total of 6 screws)
- ③ Remove the sync lock;
- ④ Follow the step in 5.2 connect with grip. (Setup is identical on T2 and T3)

## 5.2 Connect with T3 Gemini Base(or T2 ORION Base)



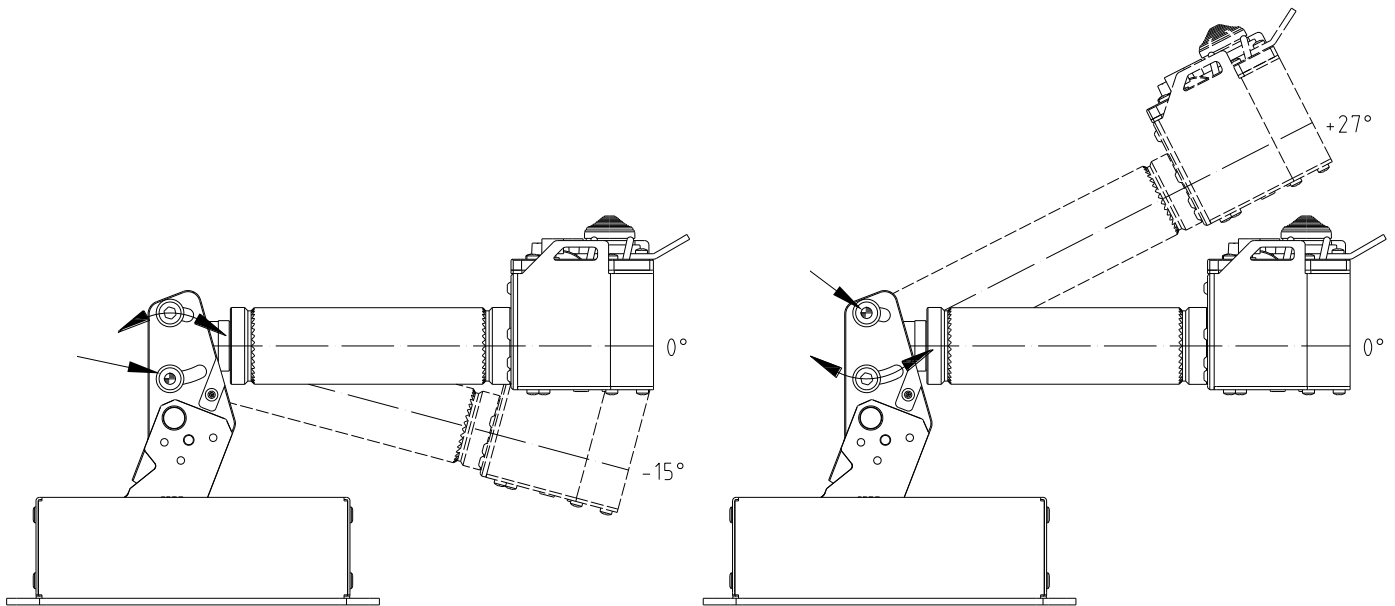
- ① Split the throttle base, Leftside to max forward position. Rightside to max rearward position;
- ② Using 3 screws,connect the A3 to the right throttle;
- ③ Align left and right throttle. Using screw A7,lock the left throttle into the A3;
- ④ Connect the KA50 grip.Use adapter to stow the left cable to grip connector;
- ⑤ Use A6 screw, secure clip, connect right cable, press the cable into the clip.

## 5.3 Setup T3 with extension



- ① Remove the cable from the clip. Disconnect the grip cable from the base;
- ② Loosen the screws on A2. Remove the grip;
- ③ Follow the step in 4.2 above;
- ④ Install the assembly into the base. Tighten the A2 screw;
- ⑤ Connect the cable, press the cable into clip (A4).

## 5.4 Initial setup/adjust for grip



- ① Loosen the 2 screws as shown above and adjust the grip angle;
- ② Retighten the screws.

\*This is the final version of the manual,all update will be made online.

成都翼胜科技有限责任公司

[WWW.WINWING.CN](http://WWW.WINWING.CN)

[INFO@WINWING.CN](mailto:INFO@WINWING.CN)

High-tech International Enterprise Zone No.19 Building,Changshengqiao Road

1111#, Piddu District, Chengdu,China 610000